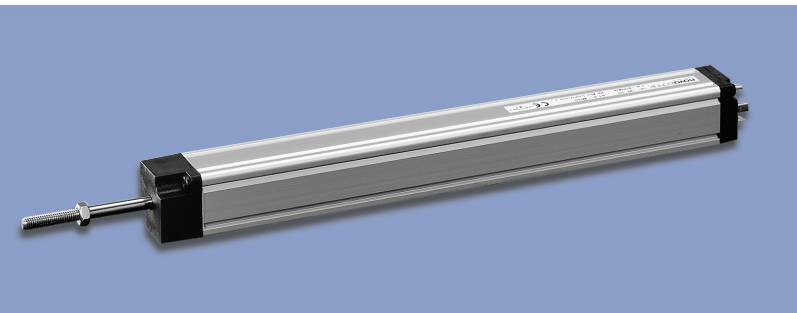


## Position Transducers potentiometric up to 900 mm, IP55

Series LWH



### Special features

- long life up to 100 Mio. movements, depending on application
- outstanding linearity up to  $\pm 0.04\%$
- high resolution 0.01 mm
- very high operating speed
- connection via plug and socket to DIN 43 650 (hydraulic connector)
- protection class IP 55

Position transducers with resistive and collector track made from conductive plastic for direct, accurate measurement of travel in display- or feedback applications.

High resolution (0.01 mm) combined with a stroke length of up to 900 mm permits the accurate measurement of linear displacement.

Rack and pinions or similar devices are not required because the design of the transducers is such that they may be built directly into the mechanical system.

Tighter tolerances on the extruded body combined with a special surface treatment permit high operating speeds and reduced wear. A pivoting front bearing overcomes „stick-slip“ type of operation even where some angular or out of parallel errors are present.

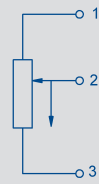
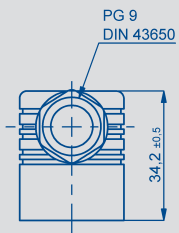
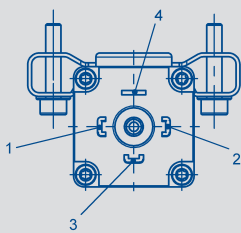
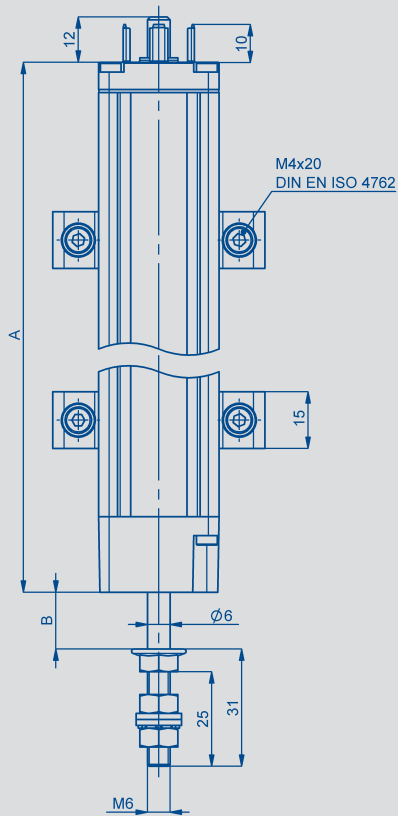
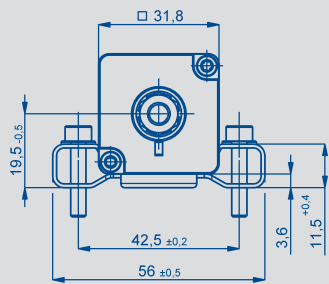
The technique for fixing and making connections to the resistance track ensures the highest degree of reliability even under harsh working conditions.

By mounting overhead on difficult-to-reach machines it is possible to pre-mount the clamps to the mounting surface and then simply “snap-on” the transducer.

The transducer has mounting grooves on all four housing surfaces. Thus the transducer can always be mounted with the resistance element directed upwards (recognizable by the position of the middle mounting groove directly across from the resistance element), independent of the mounting surface.

Erosion particles from inside the transducer will therefore not remain on the resistance element, improving the life-span of the sensor.

Description	
Housing	aluminium, anodized
Fixings	adjustable clamps, snap in on all sides
Actuator	stainless steel (1.4305), rotatable, external thread M6
Bearings	pendular fixed slide bearing
Resistance element	conductive plastic
Wiper assembly	precious metal multi-finger wiper, elastomer-damped
Electrical connections	4-pin plug socket to DIN 43650



Schematic

Type designations	LWH 0075	LWH 0100	LWH 0130	LWH 0150	LWH 0175	LWH 0200	LWH 0225	LWH 0250	LWH 0275	LWH 0300	LWH 0325	LWH 0360	LWH 0375	LWH 0400	LWH 0450	LWH 0500	LWH 0550	LWH 0600	LWH 0750	LWH 0900		
<b>Electrical Data</b>																						
Defined electrical range	75	100	130	150	175	200	225	250	275	300	325	360	375	400	450	500	550	600	750	900	mm	
Electrical stroke	77	102	132	152	178	203	228	254	279	304	330	366	381	406	457	508	559	610	762	914	mm	
Nominal resistance	3	3	3	5	5	5	5	5	5	5	5	5	5	5	5	5	5	5	10	10	kΩ	
Resistance tolerance																					±%	
Independent linearity	0,1	0,1	0,09	0,08	0,07	0,07	0,07	0,07	0,07	0,06	0,05	0,05	0,05	0,05	0,05	0,05	0,05	0,05	0,04	0,04	±%	
Repeatability																					mm	
Recommended operating wiper current																					μA	
Max. wiper current in case of malfunction																					mA	
Max. permissible applied voltage																					V	
Effective temperature coefficient of the output-to-applied voltage ratio																					ppm/K	
Insulation resistance (500 VDC)																					MΩ	
Dielectric strength (500 VAC, 50 Hz)																					μA	
<b>Mechanical Data</b>																						
Body length (dimension A)	146	171	201	222	248	273	298	324	349	375	400	436	451	476	527	578	629	680	832	984	±2 mm	
Mechanical stroke (dimension B)	85	110	140	161	186	212	237	262	288	313	339	374	390	415	466	516	567	618	770	923	±2 mm	
Total weight	220	250	290	320	350	380	410	440	470	500	530	570	590	620	680	740	805	870	1050	1230	g	
Weight of actuator and wiper	50	55	60	65	72	78	85	90	95	100	105	115	120	125	135	145	160	170	210	245	g	
Operating force horizontal																					N	
vertical																					N	
<b>Environmental Data</b>																						
Temperature range											-30... +100											°C
Vibration											5... 2000 A <sub>max</sub> = 0.75 a <sub>max</sub> = 20											Hz mm g
Shock											50 11											g ms
Life											>100 x 10 <sup>6</sup>											movements
Operating speed											10											m/s max.
Operational acceleration											200 (20 g)											m/s <sup>2</sup> max.
Protection class																					IP55 (DIN EN 60529)	

Novotechnik  
Messwertaufnehmer OHG  
Postfach 4220  
73745 Ostfildern (Ruit)  
Horbstraße 12  
73760 Ostfildern (Ruit)  
Tel. +49 711 44 89-0  
Fax +49 711 44 89-150  
info@novotechnik.de  
www.novotechnik.de

© 09/2012  
Subject to changes  
Printed in Germany

#### Order designations

Type	P/N
LWH-0050*	024302
LWH-0075	024303
LWH-0100	024304
LWH-0110*	024360
LWH-0130	024305
LWH-0150	024306
LWH-0175	027307
LWH-0200	024308
LWH-0225	024309
LWH-0250	024310
LWH-0275	024311
LWH-0300	024312
LWH-0325	024313
LWH-0360	024314
LWH-0375	024315
LWH-0400	024316
LWH-0425*	024317
LWH-0450	024318
LWH-0500	024320
LWH-0550	024322
LWH-0600	024324
LWH-0650*	024326
LWH-0750	024330
LWH-0800*	024332
LWH-0900	024336

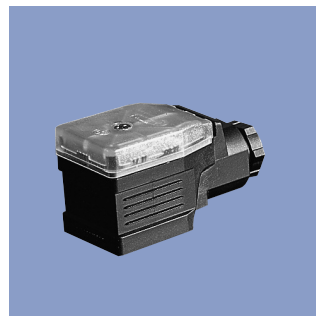
\*) Technical datas on request  
Other lengths on request

#### Included in delivery

1 plug connector GDM 3009,  
( $\varnothing$  4,5 mm - 7 mm),  
1 sealing gasket GDM 3-16,  
2 fixing clamps with 4 screws

#### Optional accessories

Pivot head Z-60 with internal  
thread M6x12, P/N 058100.  
Process-controlled indicators  
MAP... with display.



Signal conditioner MUW...  
(integrated in plug connector)  
with supply voltage 24 V and  
standard output signals.

#### Important

All values specified in this data  
sheet for linearity, lifetime and  
temperature coefficient are  
only valid for a sensor used as  
a voltage divider with virtually  
no load applied to the wiper  
( $I_E \leq 1 \mu A$ ).