

# SS-SSM

Encoder assoluto SSI / Biss C con uscite sin cos fino a 33 bit . Singolo giro e multi giro

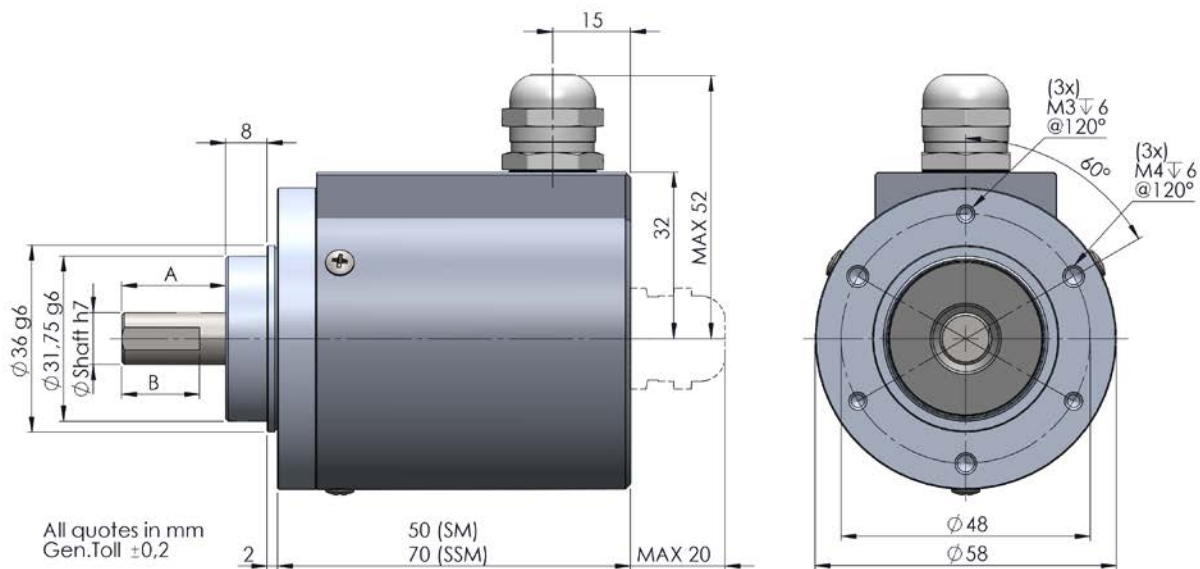
*Absolute Encoder SSI/BissC and sin-cos ø58mm up to 33Bits with Reset sinale turn and multiturn*

## Dati Meccanici / Mechanics data

|  |   |
|--|---|
| <b>Custodia / Cover:</b>                 | Alluminio naturale / Aluminium  |
| <b>Flangia/ Body:</b>                    | Alluminio naturale/ Aluminium   |
| <b>Albero/ Shaft:</b>                    | Acciaio INOX / Stainless steel  |
| <b>Cuscinetti/ Bearings:</b>             | 2 a sfere /2 ballraces  |
| <b>Peso/ Weight:</b>                     | 400gr.  |
| <b>Classe protezione/ IP protection:</b> | IP67  |
| <b>Giri/min - RPM:</b>                   | 6000 Max  |
| <b>Coppia / Torque:</b>                  | < 0.5Ncm  |
| <b>Momento inerzia / Inertia:</b>        | 20gcm <sup>2</sup>  |
| <b>Carico sull'albero/ Shaft Load:</b>   | Axi. 20N - Rad 40N ( albero/shaft Ø 6mm)<br>Axi. 40N - Rad 60N ( albero/shaft Ø 10mm) |

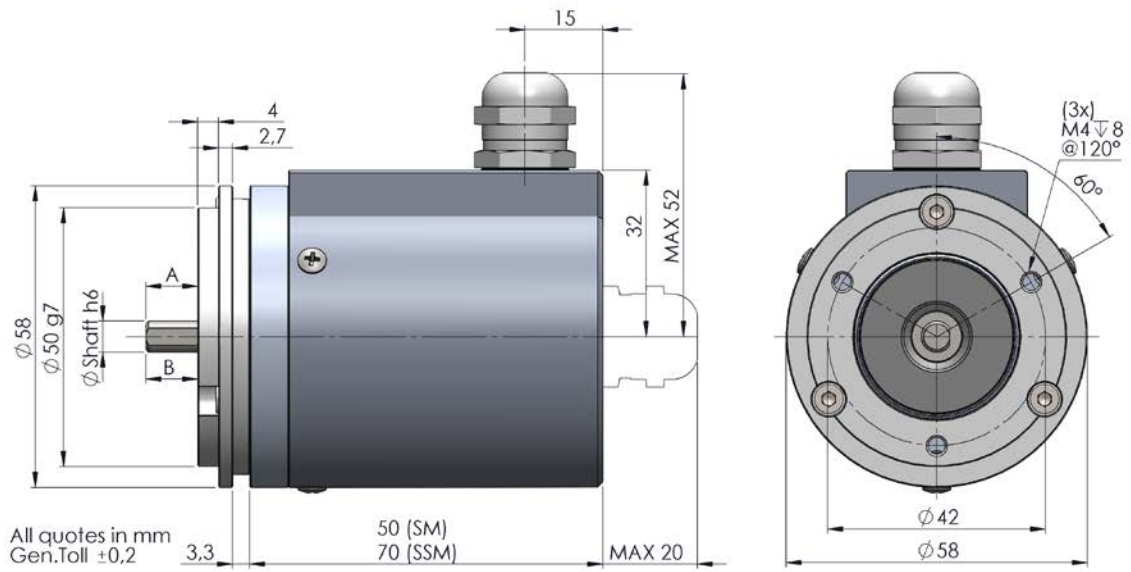


### 11 : Clamping



Nota: Tutte le immagini sono puramente indicative e non possono essere considerate vincolanti ai fini della fornitura  
All images are indicative and can not be considered binding the purpose of supplying

33 : Synchro



# SS-SSM

## Dati Elettronici / *Electronics Data*

|   |   |
|---|---|
| <b>Risoluzione / Resolution:</b>                      | ST: Single turn max 17 Bit<br>MT: Multiturn 33 bit (17 Bit ST - 16bit MT) |
| <b>Alimentazione / Power Supply:</b>                  | 10-28V +/- 5%   |
| <b>Assorbimento / Current Cons.</b>                   | 160mA   |
| <b>Interfaccia / Interface</b>                        | SSI / BISS C  |
| <b>Monoflop</b>                                       | 20usec  |
| <b>Uscita Dati / Output Data:</b>                     | RS422   |
| <b>Codice / Type of Code:</b>                         | Gray / Binary   |
| <b>Temperatura di lavoro / Operating temperature:</b> | Standard -20 / +80°C<br>(-40°+100° a richiesta /on request)               |

## Esempio d'ordine/ *Ordering code*

| ***                                | **  | *   | *   | *  | / | ** / **   |
|------------------------------------|---|---|---|--|---|---|
| Serie<br><i>Series</i>             | Albero e Flangia<br><i>Shaft and Flanges</i>                                  | Uscite<br><i>Output</i>   | Connessioni<br><i>Connections</i>   | Opzioni<br><i>Options</i>                            |   | BIT / BIT   |
| SS = Singleturn<br>SSM = Multiturn | 33 = ø 6mm L=10<br>Sincro Flange<br><br>11 = ø 10mm L = 20<br>Clamping Flange | 3 = SSI Gray<br>4 = SSI Binary<br><br>5 = SSI Gray<br>+ SinCos 2048 1Vpp<br>A = BissC<br>+ SinCos 2048 1Vpp | <b>Cavo / Cable</b><br>9 = Cable Axi<br>3 = Cable Rad<br><br><b>M23 12p</b><br>1 = 9416 Axi CW<br>2 = 9416 Rad CW<br>4 = 9416 Axi CCW<br>5 = 9416 Rad CCW | 0= None<br>Z= Reset<br>5 = 5 Volt<br>K= Connection K |   | Single<br>Turn<br><br>12<br>13<br>14<br>16<br>17<br>(360) * |

| Cable Standard                | 9416 12P Standard connection | 9416 12P Connection K |                |  |
|-------------------------------|------------------------------|-----------------------|----------------|--|
| Blu/ Blue                     | 3                            | 1                     | <b>CLOCK+</b>  | Input Clock +  |
| Bianco/Blu<br>White/Blue      | 11                           | 2                     | <b>CLOCK-</b>  | Input Clock -  |
| Giallo / Yellow               | 2                            | 3                     | <b>DATA+</b>   | Output Data +  |
| Bianco/Giallo<br>White/Yellow | 10                           | 4                     | <b>DATA-</b>   | Output Data -  |
| Verde / Green                 | 4                            | 5                     | <b>A</b>       | Channel A (SinCos version)                               |
| Rosa / Pink                   | 6                            | 6                     | <b>B</b>       | Channel B (SinCos version)                               |
| Verde/Giallo<br>Green/Yellow  | 7                            | 7                     | <b>A-</b>      | Channel A- (SinCos version)                              |
| <b>Nero / Black</b>           | <b>5</b>                     | <b>8</b>              | <b>UP/DOWN</b> | (default: CW increase, to invert connect this pin to 0V) |
|                               | <b>12</b>                    | <b>nc</b>             | <b>GND OUT</b> | Internally connected with Pin 1. (only connection K)     |
| Viola / Violet                | 9                            | 10                    | <b>B-</b>      | Channel B- (SinCos version)                              |
| <b>Marrone / Brown</b>        | <b>8</b>                     | <b>11</b>             | <b>+VCC</b>    | +Vcc   |
| <b>Beige / Beige</b>          | <b>1</b>                     | <b>12</b>             | <b>0V</b>      | 0V   |

**OPZIONE RESET:** Pulsante accessibile dal coperchio.  
**Canali A, A/, B, B/** presenti solo con uscite 5 e A

**RESET OPTION:** Reset button on the cover.  
**Channel A, /A, B, /B,** present only with output 5 and A.